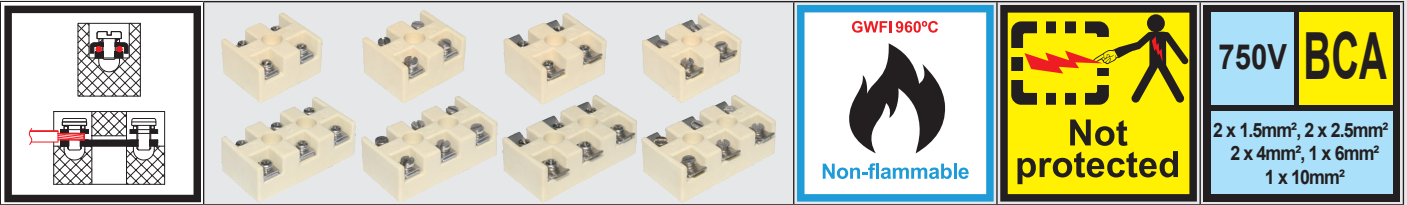


Very high temperature steatite connection blocks, 750V range

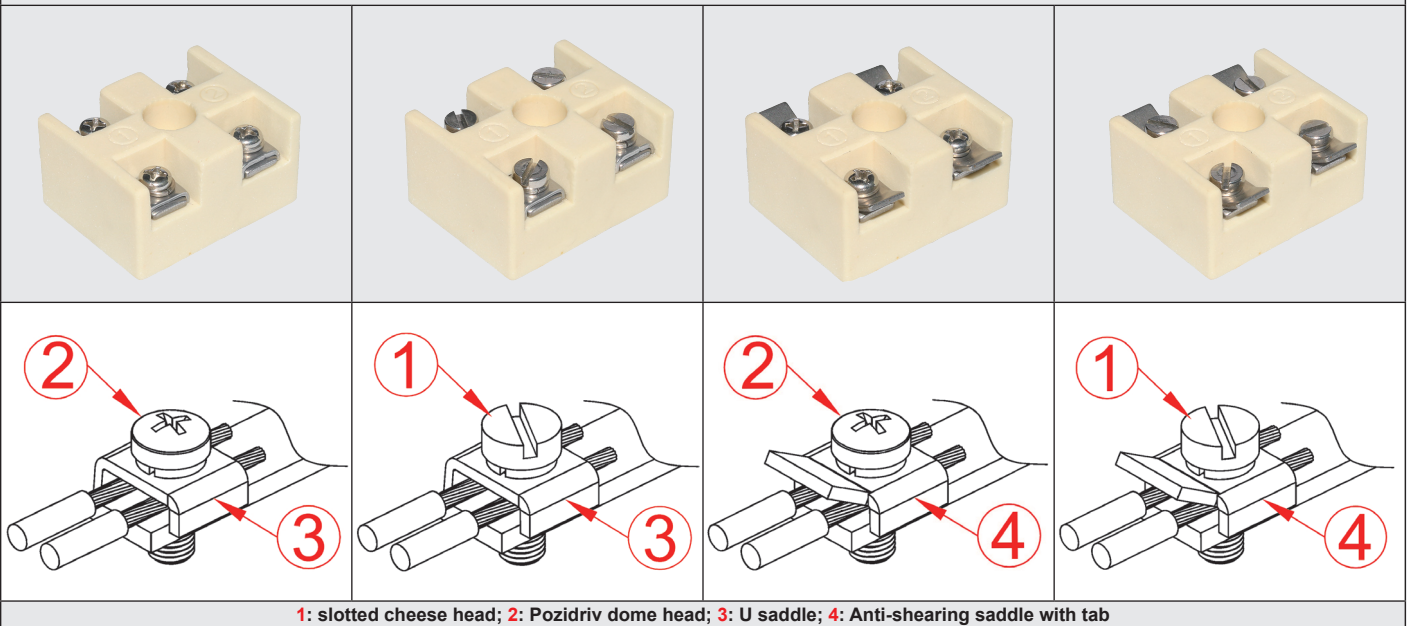
Terminals and screws in stainless steel.



Not protected against accidental electric contact, indirect pressure clamping by saddle, flat backside.



The different terminal models



Models with U saddle type 3

BCA2C3U0 (Screw type 1) 56 gr.	SOLID CONDUCTOR	BCA3C3U0 (Screw type 1) 90 gr.
	<p>7-8.5 mm</p> <p>1 x 6mm² / 2 x 4mm² / 2 x 2.5mm² / 2 x 1.5mm²</p> <p>1 x AWG10 / 2 x AWG12 2 x AWG14 / 2 x AWG16</p>	
	<p>1.2 N.m M4</p> <p>750V 32A*</p> <p>Permanent 500°C/930°F</p> <p>Peak 700°C/1290°F</p>	
BCA2C2U0 (Screw type 2) 50 gr.	STRANDED CONDUCTOR	BCA3C2U0 (Screw type 2) 80 gr.
	<p>7-8.5 mm</p> <p>1 x 10mm² / 1 x 6mm² / 2 x 4mm² / 2 x 2.5mm² / 2 x 1.5mm²</p> <p>1 x AWG8 / 1 x AWG10 / 2 x AWG12 / 2 x AWG14 2 x AWG16</p>	

Because of permanent improvement of our products, drawings, descriptions, features used on these data sheets are for guidance only and can be modified without prior advice



Very high temperature steatite connection blocks, 750V range
Terminals and screws in stainless steel.

Models with anti-shearing saddle type 4

Because of permanent improvement of our products, drawings, descriptions, features used on these data sheets are for guidance only and can be modified without prior advice

<p>BCA2C3B0(Screw type 1) i 56 gr.</p>	<p>SOLID CONDUCTOR</p> <p>1 x 6mm² / 2 x 4mm² / 2 x 2.5mm² / 2 x 1.5mm² 1 x AWG10 / 2 x AWG12 2 x AWG14 / 2 x AWG16</p> <p>SOLID CONDUCTOR</p> <p>1 x 10mm² / 1 x 6mm² / 2 x 4mm² / 2 x 2.5mm² / 2 x 1.5mm² 1 x AWG8 / 1 x AWG10 / 2 x AWG12 / 2 x AWG14 2 x AWG16</p>	<p>BCA3C3B0(Screw type 1) i 90 gr.</p>				
<p>BCA2C2B0(Screw type 2) i 50 gr.</p>	<p>1.2 N.m M4</p> <p>750V 32A*</p> <table border="1"> <tr> <td>Permanent</td> <td>500°C/930°F</td> </tr> <tr> <td>Peak</td> <td>700°C/1290°F</td> </tr> </table>	Permanent	500°C/930°F	Peak	700°C/1290°F	<p>BCA3C2B0(Screw type 2) i 80 gr.</p>
Permanent	500°C/930°F					
Peak	700°C/1290°F					

* : Ampacity limited to 32A as a result of the self-heating of the stainless-steel terminal by Joule effect.

